



DC ELECTRIC SCISSOR LIFTS

Conventional Series • SJIII 3220 • SJIII 3226



2YEAR GOLD LEAF PROTECTION PROGRAM

The Narrow Conventional Series DC Electric Scissor Lifts offer high capacity and large platform areas, making them suitable for any on-slab application. Featuring variable speed rear wheel hydraulic drive, the SJIII 3220 and SJIII 3226 offer working heights up to 9.9 m and 30% gradeability. The lightest machines in their class, these models offer a standard 0.9 m roll out extension deck, and both models can be driven at full height. The SJIII 3220, boasting an industry leading 363 kg capacity, can also access through standard doorways.

- Up to 7.9 m raised platform height
- Up to 363 kg capacity
- 0.81 m overall width
- 2.3 m overall length
- 0.71 x 2.1 m platform size (Inside)
- Drivable at full height
- Variable speed, rear two wheel hydraulic drive
- 0.9 m roll out extension deck
- 30% gradeability
- Relay based control system with color coded and numbered wiring system

DC ELECTRIC SCISSOR LIFTS Conventional Series

Specifications	SJIII 3220	SJIII 3226
A Work Height	8.0 m	9.9 m
B Raised Platform Height	6.0 m	7.9 m
C Lowered Platform Height	1.0 m	1.1 m
D Overall Width	0.8 m	0.8 m
E Overall Length	2.3 m	2.3 m
F Stowed Height (Rails Up)	2.1 m	2.3 m
G Stowed Height (Rails Down)	1.7 m	1.9 m
H Platform Width (Inside Dimension)	0.7 m	0.7 m
I Platform Length (Inside Dimension)	2.1 m	2.1 m
Extension Deck (Roll Out)	0.9 m	0.9 m
Ground Clearance (Stowed)	8.6 cm	8.6 cm
Ground Clearance (raised)	1.9 cm	1.9 cm
Wheelbase	1.8 m	1.8 m
Weight	1599 kg	1891 kg
Gradeability	30%	30%
Turning Radius (Inside)	1.3 m	1.3 m
Turning Radius (Outside)	2.8 m	2.8 m
Lift Time (With Rated Load)	33 sec	53 sec
Drive Speed (Stowed)	3.2 km/h	3.2 km/h
Drive Speed (Raised)	1.1 km/h	1.1 km/h
Maximum Drive Height	Full Height	Full Height
Capacity (Overall)	363 kg	227 kg
Maximum # of Persons	2	2

STANDARD FEATURES

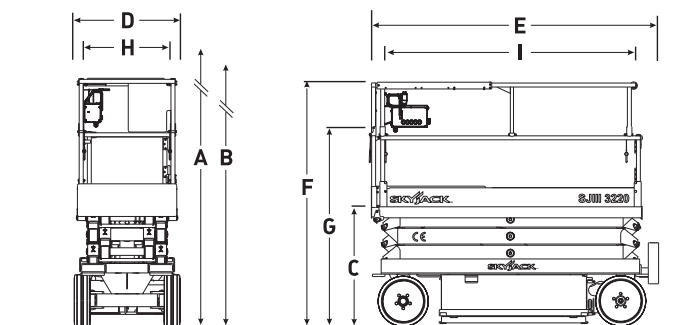
- Drivable at full height
- Variable speed, rear two wheel hydraulic drive
- Wet disc SAHR brakes
- Proportional controls for drive & lift functions
- 0.9 m roll out extension deck
- 24V DC power source
- Low voltage battery protection
- Up to 30% gradeability
- Solid rubber, non-marking tyres
- Pothole protection system
- Wiring for AC outlet on platform
- Tilt alarm with drive & lift cut-out
- All motion audible alarm
- Overload sensing system
- Lowering warning system
- Lanyard attachment points
- Operator horn
- Half height spring hinged gate
- Hinged railing system (except 3220)
- Forklift pockets and tie down/lift lugs
- Analog control system
- Colour coded and numbered wiring system

OPTIONS†

- Flashing light
- Dual flashing lights
- Shop airline to platform
- 250 Ah batteries
- Hinged railing system (3220)
- Full height spring hinged gate*

*not available with hinged railing system

‡ Capacities, and machine weights may differ when options are added



Skyjack Australia Pty Ltd
 4 Coates Place
 Wetherill Park
 New South Wales, 2164
 Tel: +61 (0) 2878 63200
 Fax: +61 (0) 2878 63222
 Email: jcranmer@skyjack.com

www.skyjack.com

This brochure is for illustrative purpose only and based on the latest information at the time of printing. Skyjack Inc. reserves the right to make changes at any time, without notice, to specifications, standard and optional equipment. Consult the Operating Maintenance and Parts Manuals for proper procedures. AS marked platforms are in conformance to Standard AS/NZS 1418.10:2011.