

HA 20 PX



- +70 / -70° fly jib.
- 44 ft 3 in (13.5m) horizontal outreach.
- Standard 4 wheel drive and 4 wheel steer.
- 230 kg (507 lb) platform capacity.
- 40% gradeability.



The Haulotte® advantages

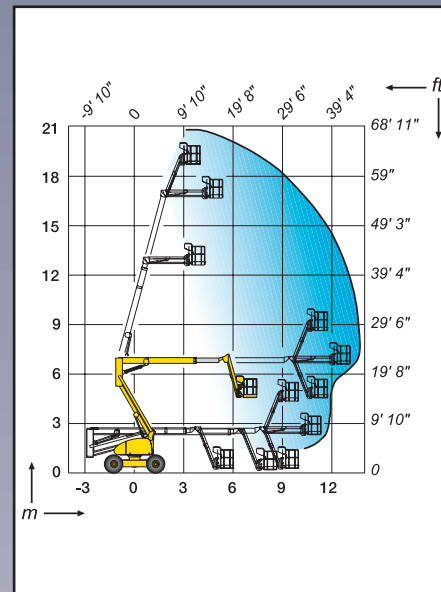
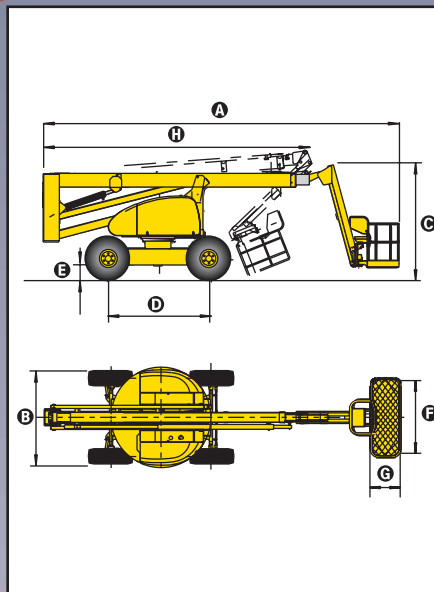
- Improved working area via a positive / negative articulating fly jib with 140° movement
- 12 ft 10 in (3.9 m) turning radius for improved manoeuvrability
- Hydraulic differential lock and 17 in (42 cm) ground clearance for improved rough terrain capability
- Continuous 360° turntable rotation
- 180° hydraulic platform rotation
- Compact travel / transport dimensions
- Full proportional controls and simultaneous boom functions improve productivity
- Work platform overload limiter increases safety
- 2.8 mph (4.5 km/h) travel speed
- Robust, reliable and easy to maintain design

STANDARD FEATURES

- 4 wheel drive and 4 wheel steer
- 5° tilt alarm
- Deutz diesel engine
- 220 V/16 A power line to platform
- 12 V proportional controls at platform
- Free wheeling device
- Battery electric emergency lowering system
- Safe use in winds up to 28 mph (45 km/h)
- Hourmeter
- Slewing block pin
- Towing hooks / lifting eyes
- 2 hooks for safety harness in platform

OPTIONS & ACCESSORIES

- Rotating beacon
- Flashing light
- Travel alarm
- Catalytic exhaust
- 2.3x0.8 m / 7 ft 6 in x 2 ft 7 in large platform
- On-board 3.3 kW generator
- Encoded starting device
- Working light
- Hot countries kit / Cold countries kit
- 250 kg (550 lb) of capacity with a wind up to 37 mph (60 km/h) (machine weight : 12260 kg / 27 029 lb)



SPECIFICATIONS

Working height	67 ft 9 in	20.65 m
Platform height	61 ft 2 in	18.65 m
Horizontal outreach	44 ft 4 in	13.5m
Up & over clearance	22 ft 4 in	6.8 m
Platform capacity	507 lb	230 kg
Fly jib range of motion	140° (+70°/-70°)	140° (+70°/-70°)
A Stowed length	29 ft 4 in	8.93 m
B Width	7 ft 10 in	2.38 m
C Stowed height	8 ft 9 in	2.67m
D Wheelbase	9 ft 2 in	2.8 m
E Ground clearance	17 in	42 cm
F x G Platform size	71 in x 32 in	1.8 m x 0.8 m
H Travel/transport length	22 ft 4 in	6.8 m
Tailswing	0	0
Drive speed	0.3 mph - 2.8 mph	0.5-4.5 km/h
Outside turning radius	12 ft 10 in	3.9 m
Turntable rotation (continuous)	360°	360°
Hydraulic platform rotation	180°	180°
Gradeability	40%	40%
Engine	Diesel Deutz 57,1 hp - 42kW	
Controls	proportional	
Tyres (foam filled)	385/65 - 22.5	
Hydraulic tank	40 gallons	150 l
Fuel tank	40 gallons	150 l
Weight	25.821 lb	11.710 kg

AS 1418.10

